

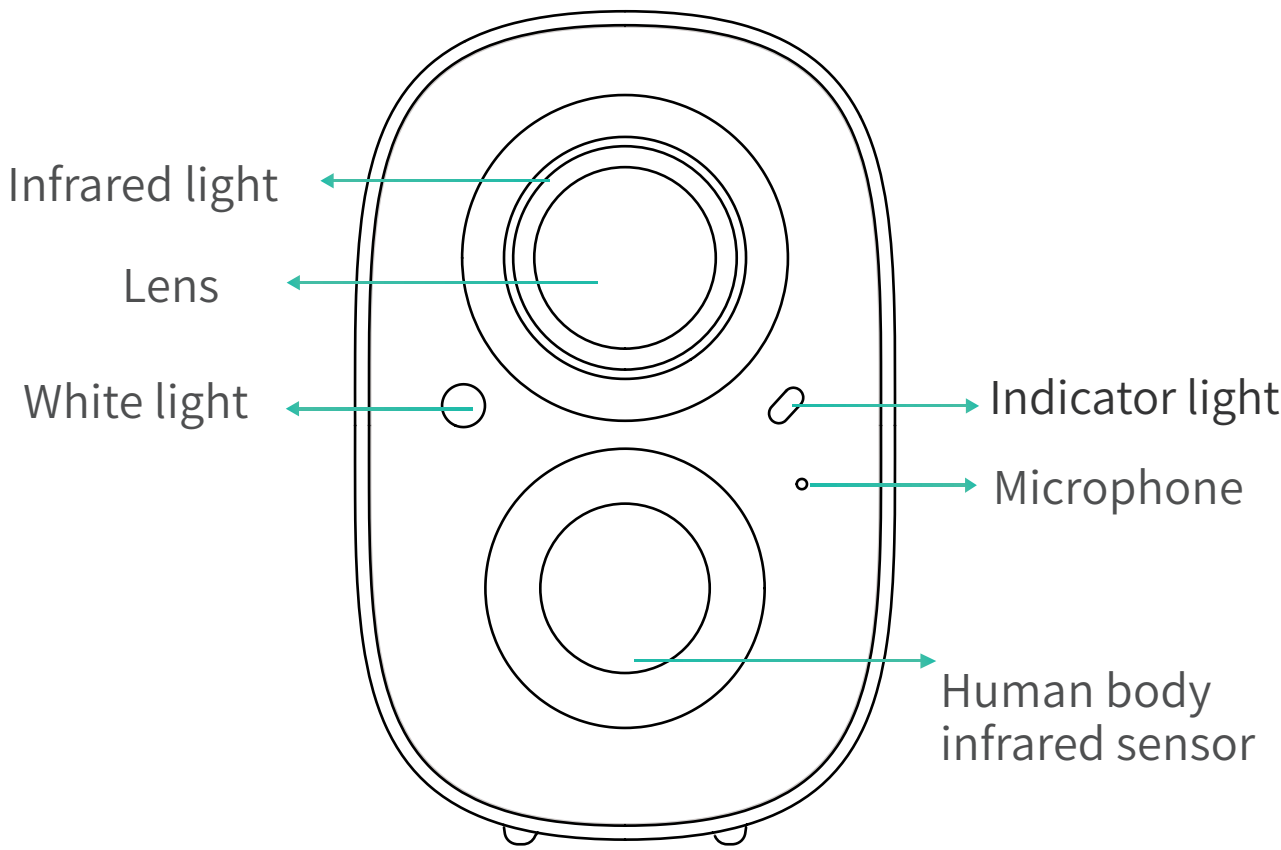
Wireless Smart Battery Camera

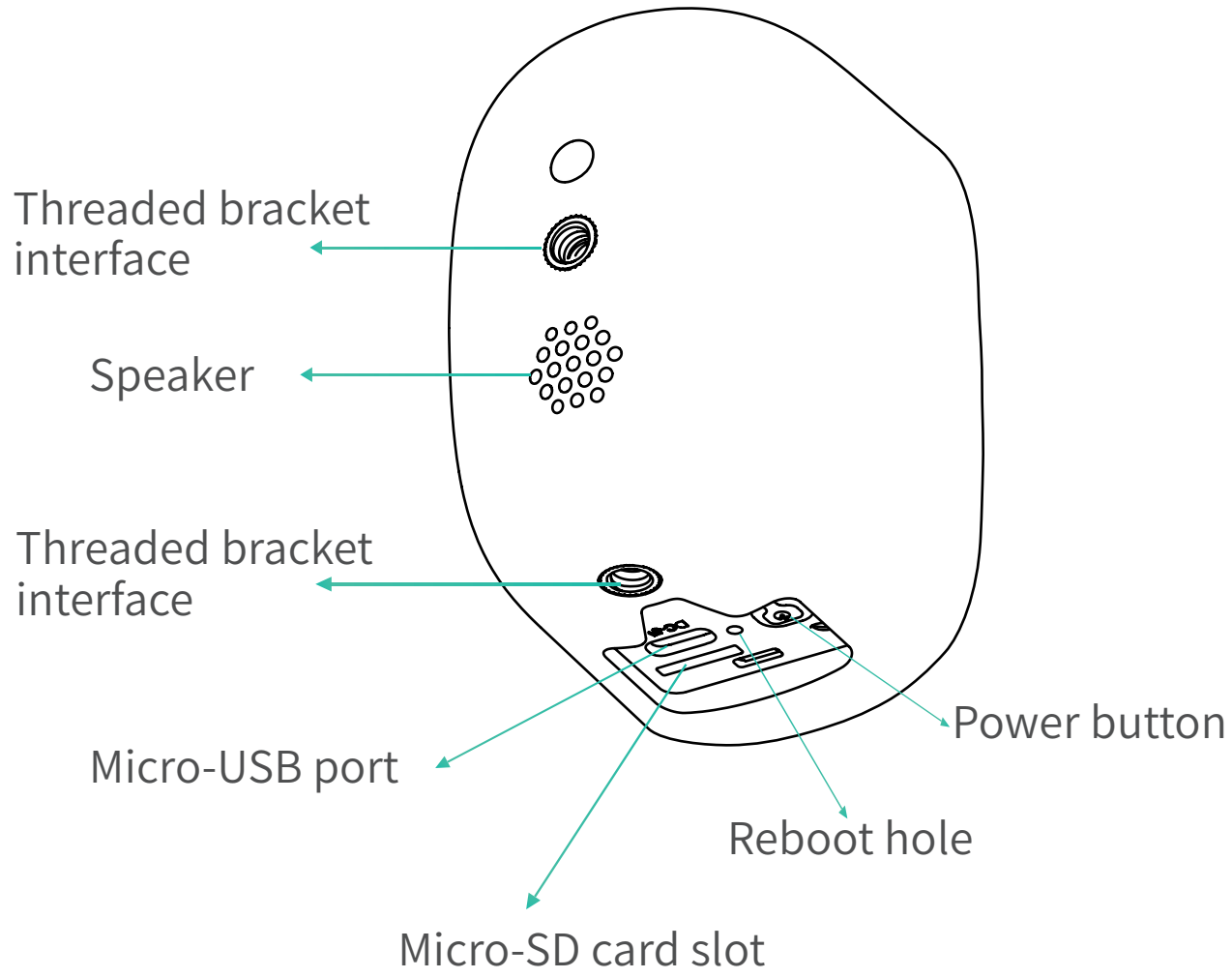
Operation Instruction

Packing list

1. Camera*1
2. Bracket*1
3. Mounting kit*1
4. USB charging cable *1
5. Operation instruction*1

Product appearance





Quick start

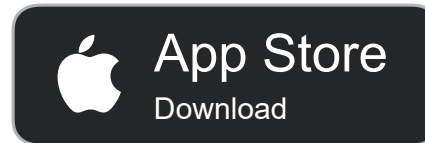
The wireless smart battery camera supports battery-powered supply and AC-powered supply.

1. Download and install the App

The wireless smart battery camera supports Android and iOS App. For your best experience, please scan the QR code below, and follow the instruction to complete the user registration.

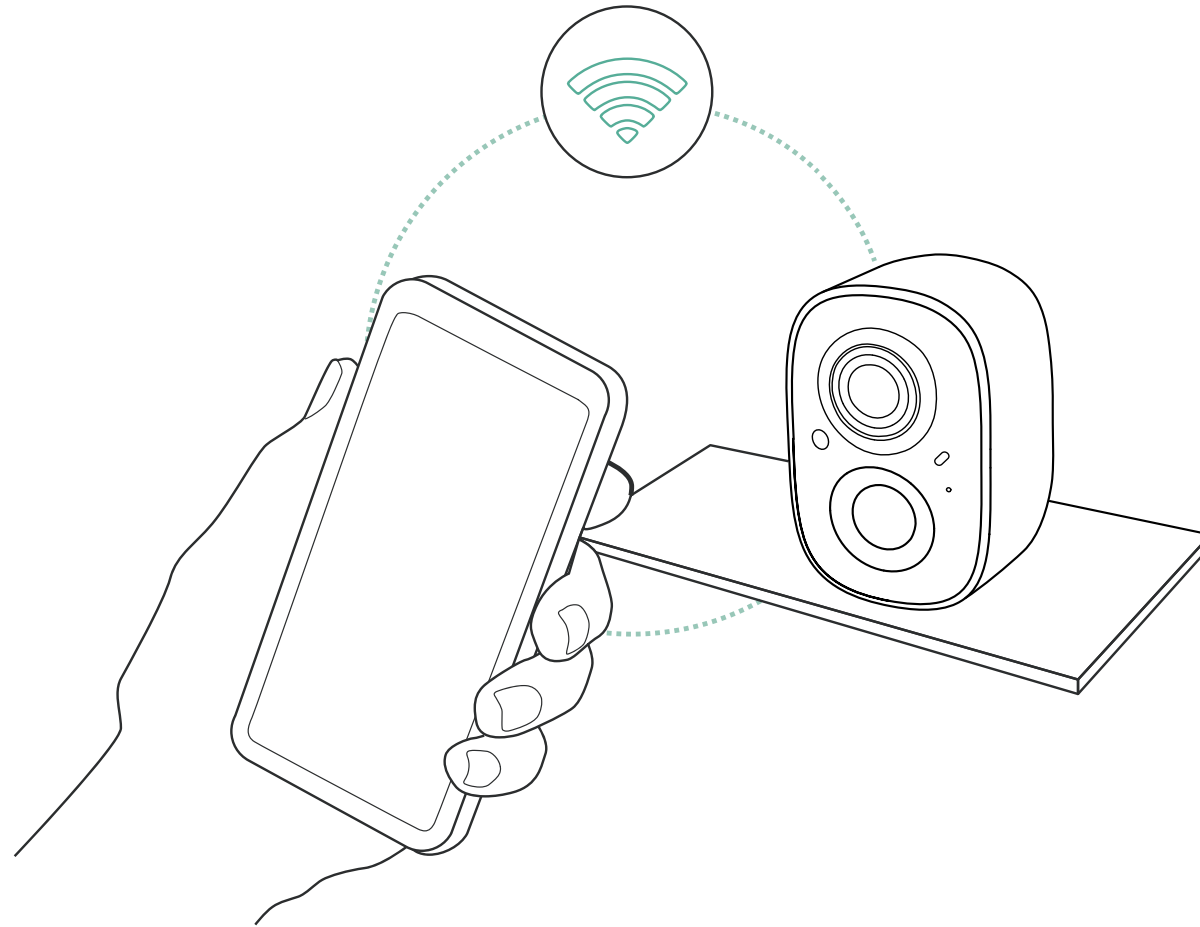


App Download



2. Add the device

Sign in to App, connect to Wi-Fi and add the device according to the prompts (please bring the device close to the router when configuring).

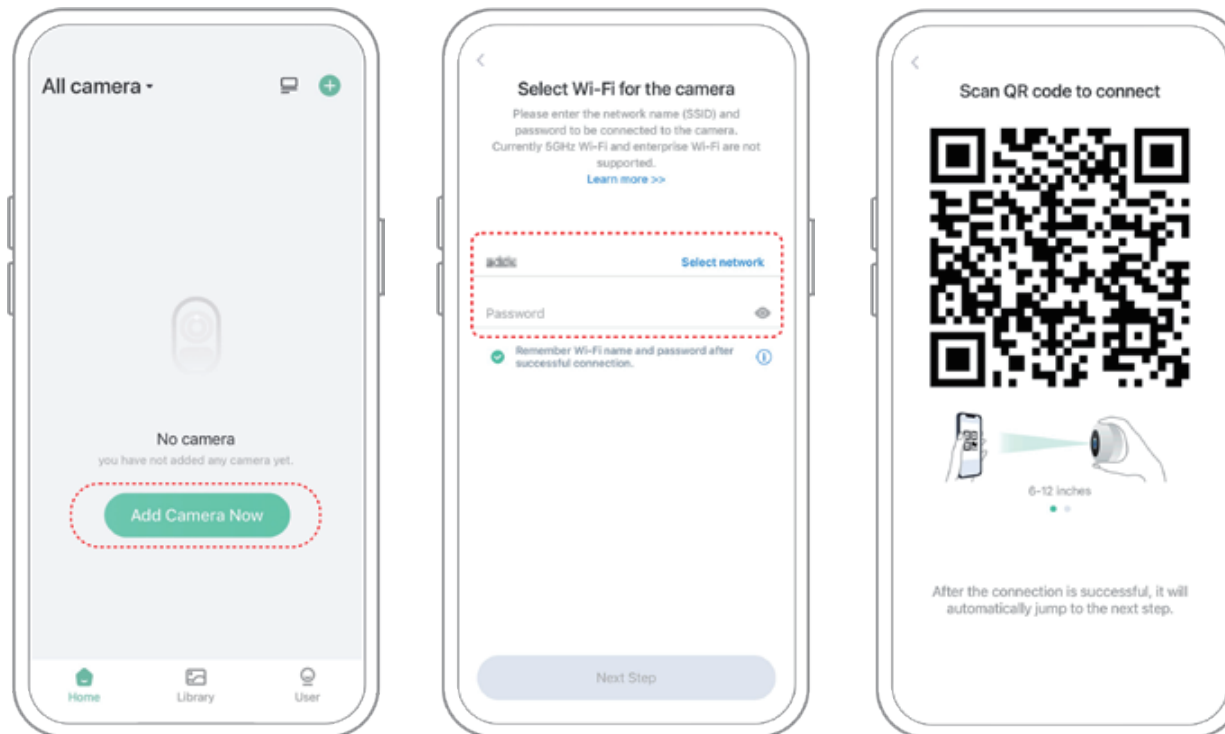


Power on/off and network configuration

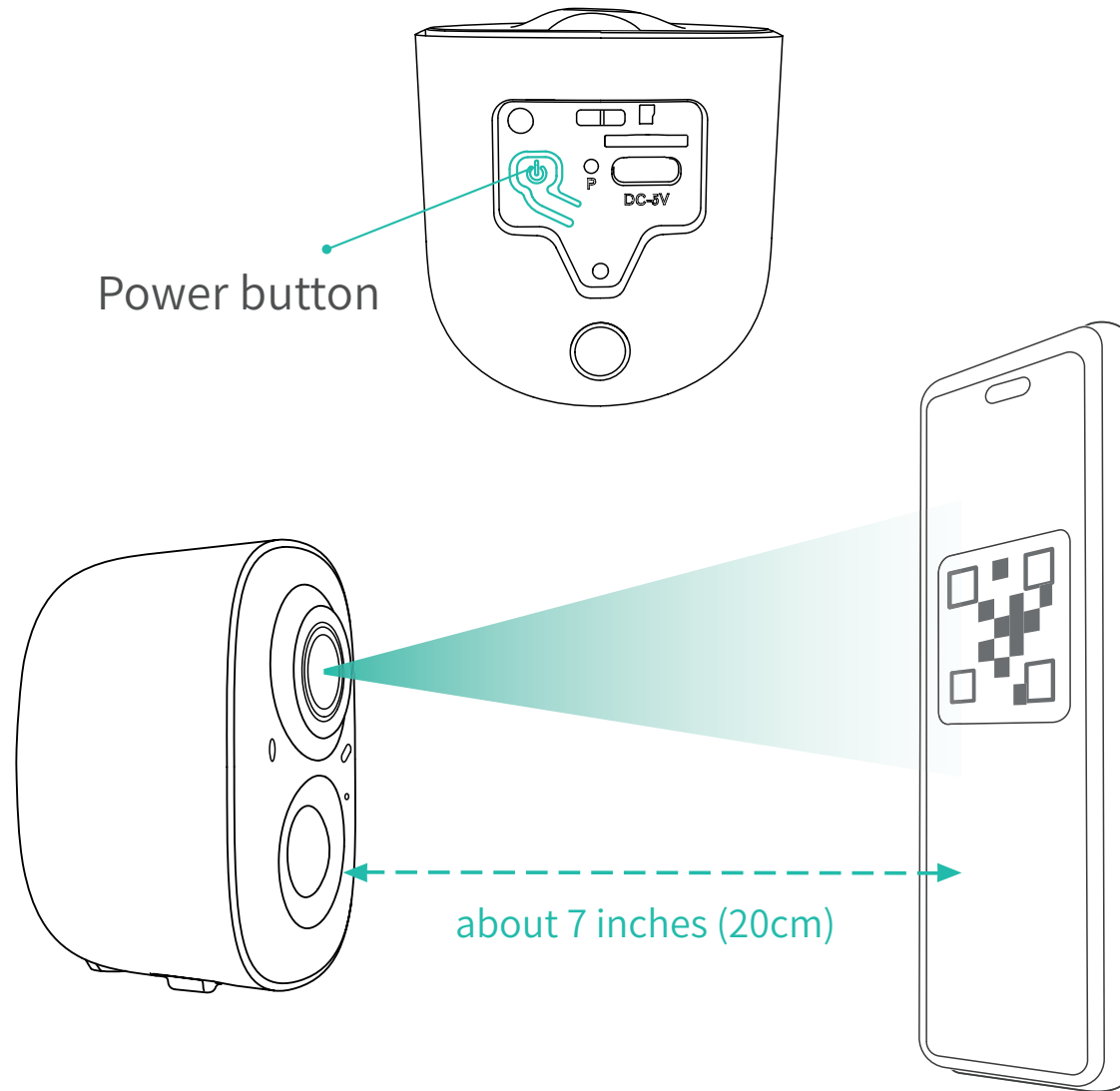
- Long press the power button for 3s to power on/off the device.
- Double click the power button to enter the network configuration mode after the prompt tone.
- ! When connecting the camera for the first time, use the App and follow the instruction to configure the camera network.

Set up the camera

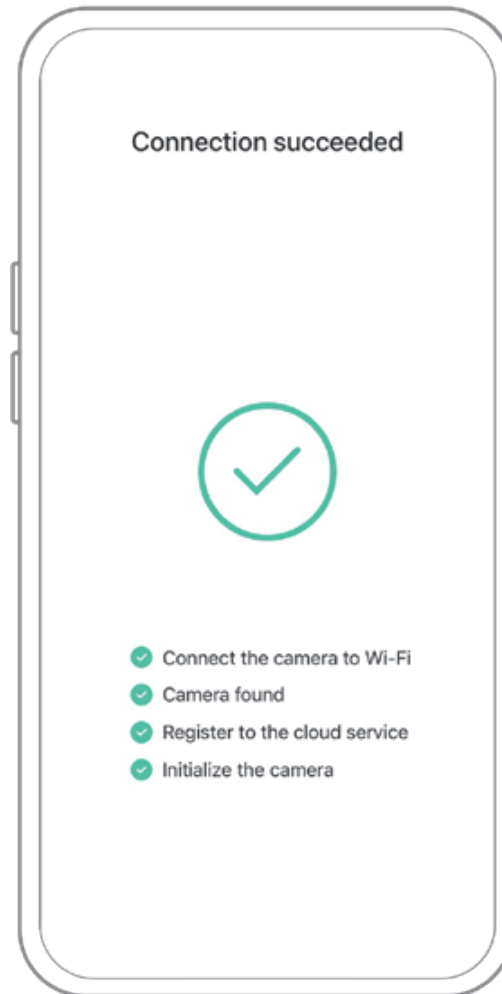
1) Click the "Add Camera Now" in the App and enter the Wi-Fi network name and password that you want the camera to connect. To ensure a longer distance connection, the camera only supports the 2.4Ghz Wi-Fi with stronger wall penetration capability and does not support Wi-Fi for enterprise-level authentication currently. Please ensure that the entered Wi-Fi meets the requirements. After completion, click "Continue" to generate the QR code for pairing the camera.



2) After pressing the camera switch for 3 seconds, the camera will turn on. At this moment, target the camera at the QR code of the mobile App, with a distance of about 20cm (about 7 inches) until the camera emits a "Di" sound, which represents the scanning is succeeded and the pairing is started.



3) After a while, the camera will give out a prompt sound of a successful connection. At this moment, please set the name for the device on the App and select the location you want to place the device. Click "Continue" to complete the pairing.



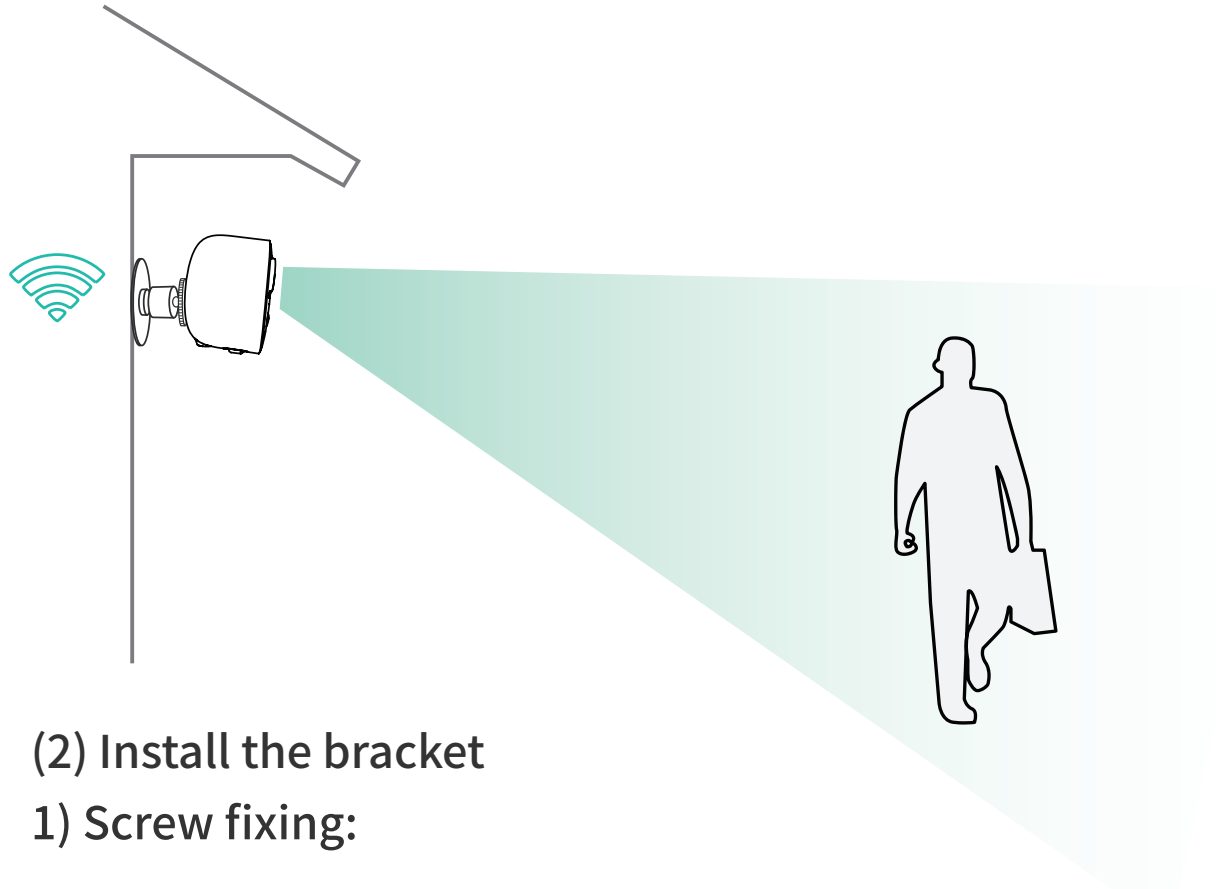
- ! Possible problems with binding:
 - When you hear the "**Wi-Fi Password Error**", please check whether the Wi-Fi password you entered in the App is correct;
 - When you hear the "**Authentication error**", please ensure that your Wi-Fi network is not an enterprise-level network, and the device supports only the network with the security level below WPA-2;
 - When you hear the "**Wi-Fi not found**", please check whether you select or enter the correct Wi-Fi name, and place the device near the Wi-Fi router and ensure that the router is powered on. Please note that 5Ghz Wi-Fi cannot be searched by the device;
 - When you hear the "**Retrieving IP timeout**", it indicates that the number of devices connected to the router in your home is too many to connect more devices. Please remove some of the connected devices that are not commonly used or restart the router to clear the unconnected devices. You may need to contact the router administrator;
 - When you hear the "**Cloud service connection fail**", please check whether your router is connected properly to the external network. When you hear this error prompt, it is common on the condition of network disconnection or that the selected router in your home is a local area network server. Please ensure that the network connection is normal, and try to temporarily turn off the firewall to connect again.

Install the camera

You can place the camera on a shelf or other surfaces to use, or you can install it on a wall to use.

(1) Select a good spot for your camera

Select a good spot for your camera, please install the camera in a position where its view is not blocked and ensure that it is within the coverage of the Wi-Fi network.



(2) Install the bracket

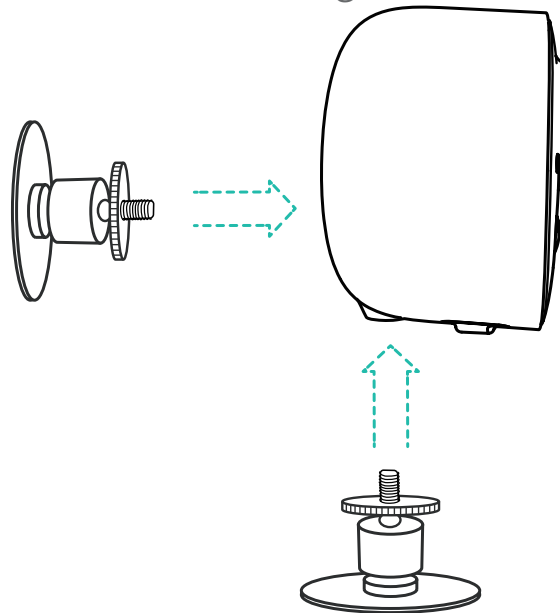
1) Screw fixing:

Use the drilling tool to punch holes on the wall according to the hole distance of the base. It is recommended to mark the holes on the wall with a pencil before drilling. Screw the expansion nut into the holes on the wall, and then connect the bracket to the expansion nut with screws to complete the fixing.



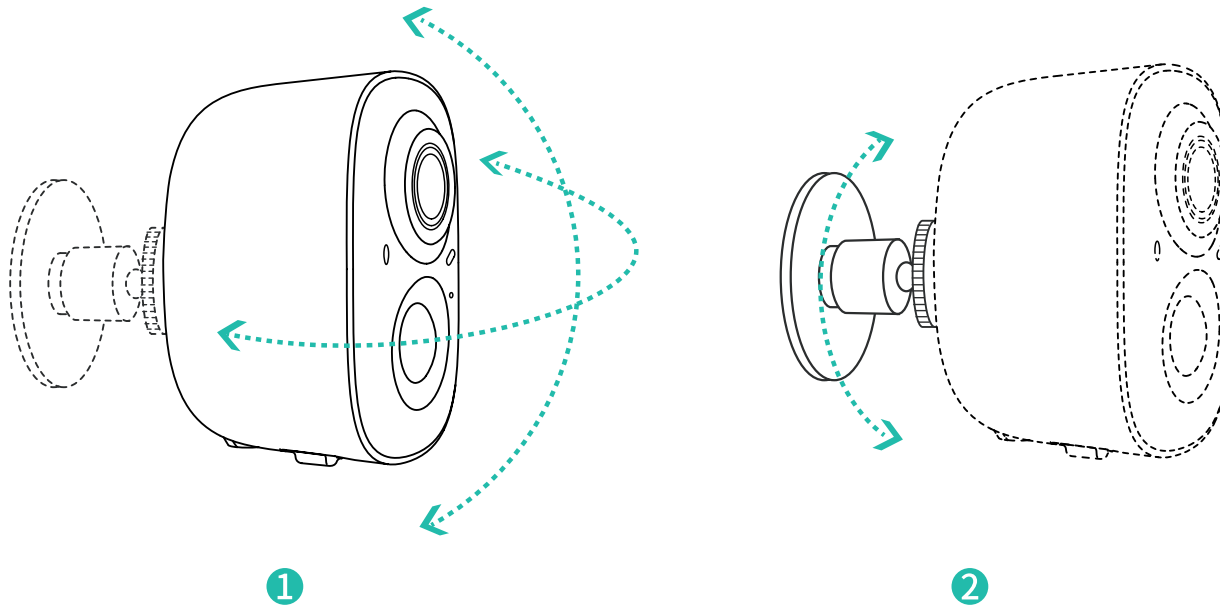
2) Fix the camera

Align the bracket screw with the screw hole on the back or bottom of the camera, and then rotate it to the tightened state.



3) Adjust the angle

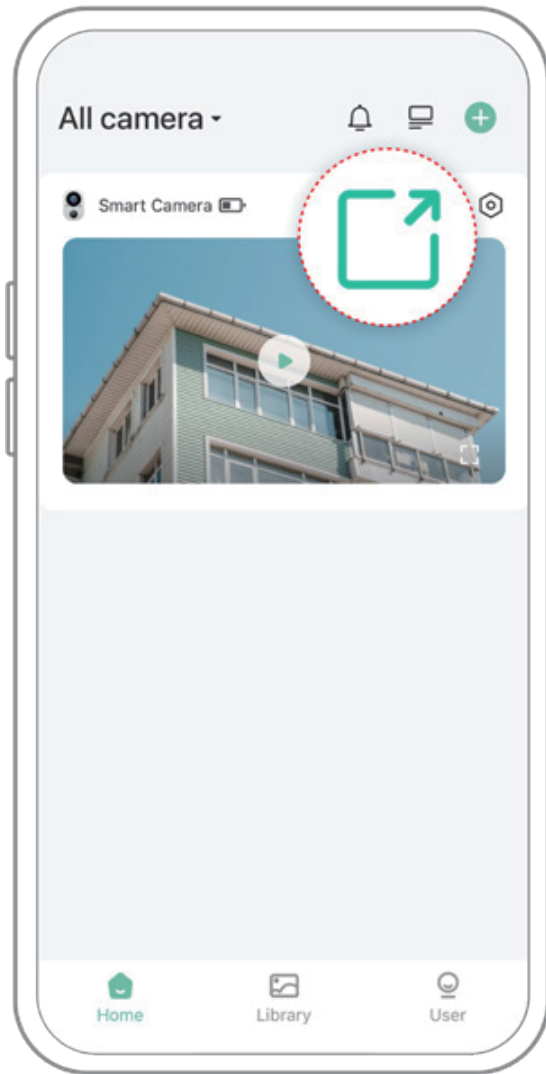
Adjust the camera to an appropriate angle, and then tighten the base by rotating it in clockwise direction to fix the angle.



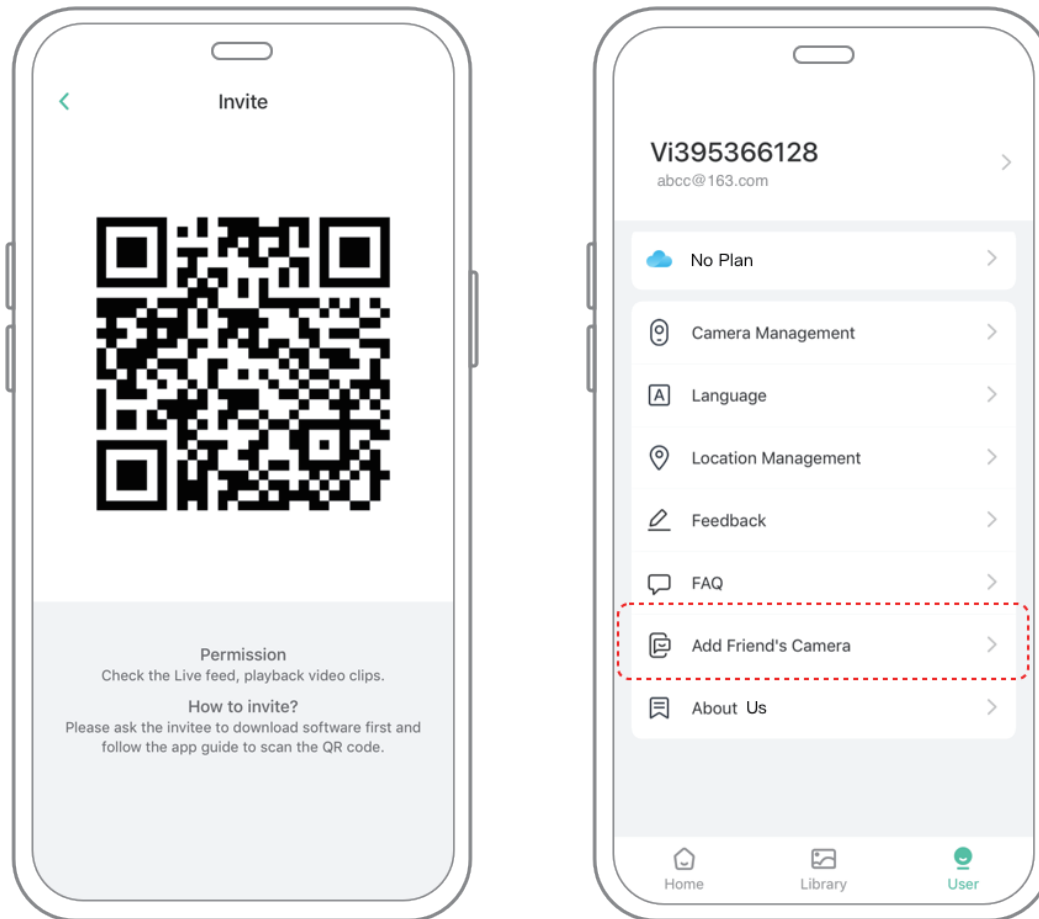
Share the camera

When you need to view the camera with other family members or friends, you can use this function. Only the administrator whose account is bound with the camera for the first time can share and set the device. Other members can only view the live or playbacks of the device.

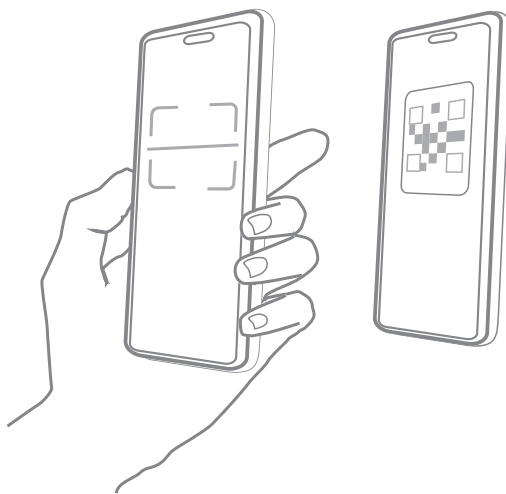
1) Find the camera you want to share on the App homepage or camera setting page. Find the button and enter the sharing page.



- 2) Click "Invite", and a QR code will be generated for sharing.
- 3) For the members you need to share, find "Add Friend's Camera" in the "User" page to enter the scanning page.



- 4) Scan the QR code on your mobile phone, and you will receive the confirmation notification after success. The sharing will be completed after you agree.



Charge the camera

App will remind you to charge your camera when the battery is low. Please use the Micro USB cable to plug into the 5V/1.5A charging adapter to charge the camera. During charging, the camera's indicator light is solid yellow, and when the camera is fully charged, the indicator light will turn into solid green. It will take 10 hours to fully charge the camera.

Indicator light status

Mode	Status
Working mode	Blue
Sleep mode	Off
Charging mode	Yellow
Fully charged mode	Green

Product specification

Item	Specification
Camera lens	Field of view: 110°
Image resolution	Max. 1920×1080
Video bit rate	Adaptive
Storage media	Micro SD card (Up to 128GB)
Battery capacity	5200mAh/6700mAh *
Adapter requirement	5V/1.5A
Size	67.5×59×89(mm)

* Up to six months in standby mode

Firmware upgrade

When you connect your camera through the App, it will prompt you if the latest firmware is available. You can also manually check the firmware upgrade in the settings of the App.

- ⓘ Please make sure that your camera is fully charged or connected to the power adapter before upgrading the firmware, please do not cut off the power supply during the upgrading.

FCC warning

This device complies with part 15 of the FCC Rules. Operation is subject to the following two conditions:

(1) this device may not cause harmful interference.

(2) this device must accept any interference received, including interference that may cause undesired operation. Any changes or modifications not expressly approved by the party responsible for compliance could void the user's authority to operate the equipment.

NOTE: This equipment has been tested and found to comply with the limits for a Class B digital device, pursuant to Part 15 of the FCC Rules. These limits are designed to provide reasonable protection against harmful interference in a residential installation. This equipment generates, uses and can radiate radio frequency energy and, if not installed and used in accordance with the instructions, may cause harmful interference to radio communications. However, there is no guarantee that interference will not occur in a particular installation.

If this equipment does cause harmful interference to radio or television reception, which can be determined by turning the equipment off and on, the user is encouraged to try to correct the interference by one or more of the following measures:

Reorient or relocate the receiving antenna.

Increase the separation between the equipment and receiver.

Connect the equipment into an outlet on a circuit different from that to which the receiver is connected.

Consult the dealer or an experienced radio/TV technician for help.

To maintain compliance with FCC's RF Exposure guidelines, this equipment should be installed and operated with minimum distance between 20cm the radiator your body: Use only the supplied antenna.

FAQ

1.Q:Camera permission management: How to invite family and friends to use my camera together?

A: Open the App and select your camera on the home page. Click the share button on the home page or the "Share" in the camera settings to enter the sharing page, and then click "Invite " to generate a QR code. Your friends can now get some of the access rights by scanning the QR code in your phone.

2.Q:Why doesn't the Wi-Fi name appear when I connect to Wi-Fi?

A: On Apple devices with iOS13 and above, you need to turn on the "location permission" for the app in the system settings and change it to "allow when using."

3. Q:Will the camera show red lights when night vision is activated?

A: The built-in infrared lamp beads make the camera only show some dim red lights when night vision is activated, but the image quality is still clear under no light environment.

4.Q:What are the requirements for Wi-Fi?

A: Please use a 2.4GHz wireless network. The device does not support the 5GHz wireless network. Meanwhile, please set the Wi-Fi authentication method to WPA2-PSK or other lower level of security method. A password is required.

5.Q:How far should the camera be placed from the router?

A: After testing, the Wi-Fi connection distance can normally reach up to 150 meters in the open area. However, the actual situation depends on the strength of Wi-Fi and its surrounding environment (thick walls, electromagnetic devices, large metal objects will all cause interference to the Wi-Fi signals). If the camera connection signal is weak or unstable, please place the camera as close to the router as possible.

6.Q:What is the maximum length of recording time?

A: If you set the duration as "Auto", when someone occurs in the view of the camera, it will start recording a video for up to 3 minutes.

7.Q:How to quickly view videos by category?

A: Click the icon in the upper left corner of the "Library" page to start filtering videos by category. Select the category you want to see and then click "Save" to view the video playbacks.

8.Q: What should I do when the device is in malfunction?

A: Long press the power button for 3 seconds to restart it. If there is no response, you can remove the rubber plug at the bottom of the camera. Press the reboot hole with a pointed object to restart the camera.